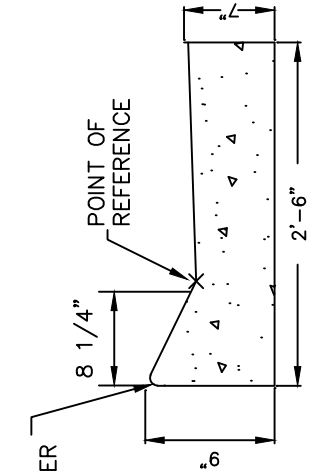
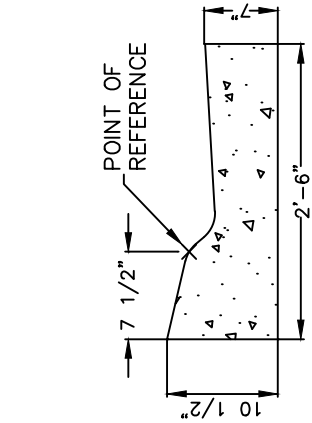


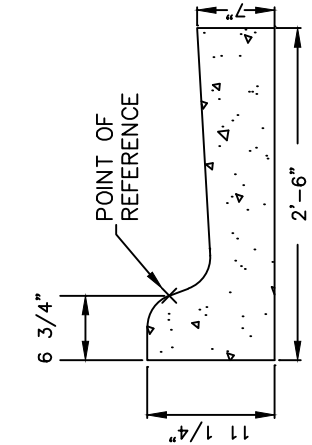
PLAN VIEW



SECTION C-C



SECTION B-B



SECTION A-A

NOTES:

1. TRANSITION IS NOT TO BE LOCATED WITHIN THE CURB RADIUS.
2. NO CATCH BASINS ARE ALLOWED INSIDE THE TRANSITION ZONE.



TOWN OF MOORESVILLE

STANDARD DETAIL

ROAD SYSTEMS  
 CURB TRANSITION  
 2'-6" CURB AND GUTTER TO  
 2'-6" RESIDENTIAL C & G

January 2015  
 Revision 1

NTS

R - 11.0